

MUSASHI-OPT

OptMore for Full-Frame / TL-FFX2

2× Extender



Extender to leverage the brightness of the mounted lens

OptMore for Full-Frame 2x Extender is an adapter to mount a PL mount Full-Frame format lens on a large format sensor camera(max diagonal: 46.3mm) with less light drop.

Main features

- ◆ With light drop only by 2.0 STEP, a PL mount Full-Frame format lens can be used for a large format sensor camera(max diagonal: 46.3mm)
(*1 Use lens with image circle ϕ 46.3mm)
- ◆ You can use super 35mm lens and super 35mm camera combination also.
- ◆ Designed to bring out the optical performance of a PL mount Full-Frame format lens fully and to minimize optical performance deterioration.

Some lenses are not usable. Please contact us for more details.
Specification and appearance may change without prior notice.



MUSASHI OPTICAL SYSTEM CO., LTD.

Main specification

Product name	OptMore for Full-Frame 2.0x Extender
Model	TL-FFX2
Corresponding Lens	PL mount Full-Frame format lens
Corresponding Camera Image	Full size (Max Diagonal : 46.3mm)
Corresponding Camera Mount	PL mount
Magnification	2.0 times
External Dimensions	φ81mm × 68mm
Weight	T.B.D.

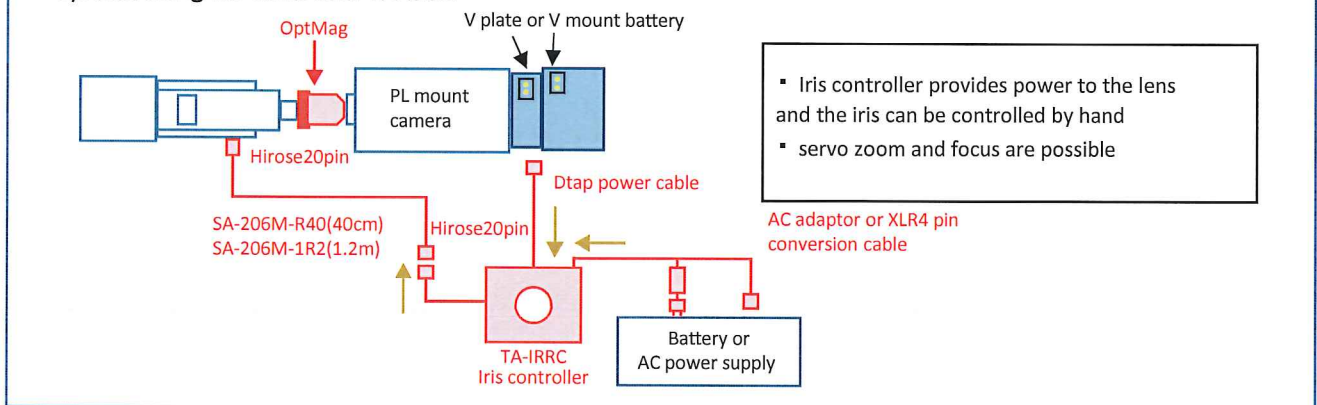
■ Optional accessory

Iris controller TA-IRRC

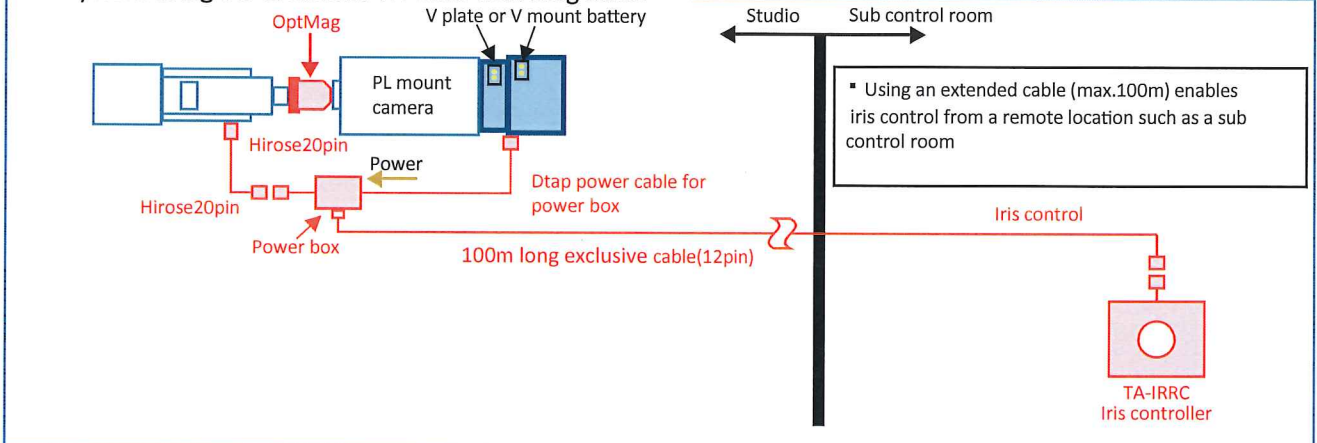


- Provides power to the lens enabling servo zoom and focus
- Iris can also be controlled by hand

System using Iris controller TA-IRRC



System using Iris controller TA-IRRC with long cable



*Various cables can be manufactured. Please contact us for more details.

Contact information



MUSASHI OPTICAL SYSTEM CO., LTD.

5-18-2, HIGASHIOMIYA, MINUMA-KU, SAITAMA-CITY
SAITAMA 337-0051, JAPAN
TEL +81-48-812-7700 FAX +81-48-812-7760
<http://www.musashi-opt.co.jp>